

Clarke®



Only suitable for well insulated areas and not designed to be the primary heat source

ELECTRIC FAN HEATER

MODEL NO: DEVIL 6003

PART NO: 6925220

OPERATION & MAINTENANCE INSTRUCTIONS

UK
CA | CE



ORIGINAL INSTRUCTIONS

DL0126- Rev 16

INTRODUCTION

Thank you for purchasing this CLARKE product.

This heater is only suitable for well insulated spaces or occasional use.

Before attempting to use this product, please read this manual thoroughly and follow the instructions carefully. In doing so you will ensure the safety of yourself and that of others around you, and you can look forward to your purchase giving you long and satisfactory service.

GUARANTEE

This product is guaranteed against faulty manufacture for a period of 12 months from the date of purchase. Please keep your receipt which will be required as proof of purchase.

This guarantee is invalid if the product is found to have been abused or tampered with in any way, or not used for the purpose for which it was intended.

Faulty goods should be returned to their place of purchase, no product can be returned to us without prior permission.

This guarantee does not effect your statutory rights.

FUNCTION AND OPERATING PARAMETERS

This is a forced air heater. It's intended use is for drying and the warming of commercial/industrial buildings and areas where adequate ventilation is provided.

- It must be operated as prescribed in the operating manual.
- It is not intended to be used for domestic use or for the heating of habitable areas.
- It is not intended to be used to reach and maintain a certain level of human thermal comfort within an enclosed space in which the heater is situated.
- It is not intended to be used in enclosed areas with restricted ventilation.
- It is not intended for warming animals or live stock.

THE FOLLOWING TABLE ADDRESSES THE INFORMATION REQUIREMENTS OF REG.2024/1103

Item	Symbol	Value	Unit
Heat output			
Nominal heat output	P_{nom}	3.000	kW
Minimum heat output (indicative)	P_{min}	1.500	kW
Maximum continuous heat output	$P_{max, c}$	3.000	kW
Auxiliary electricity consumption			
In off mode	P_o	0.000	W
In standby mode	P_{sm}	0.000	W
In idle mode	P_{idle}	0.000	W
In network standby	P_{nsm}	0.000	W
Seasonal space heating energy efficiency in active mode	$\eta_{s, on}$	85	%
Standby mode with display information or status	-	No	-
Type of heat output/room temperature control (select one)			
Single stage heat output, no temperature control			No
Two or more manual stages, no temperature control			No
With mechanical thermostat room temp control			Yes
With electronic temperature control			No
Electronic temperature control with day timer			No
Electronic temperature control with week timer			No
Other control options (multiple selections possible)			
Room temperature control with presence detection			No
Room temperature control with open window detection			No
Room temperature control with distance control option			No
Room temperature control with adaptive start control			No
Room temperature control with working time limitation			No
Room temperature control with black bulb sensor			No
Room temperature control with self-learning functionality			No
Room temperature control with control accuracy			No

SAFETY SYMBOLS

The following symbols appear on the unit.

	Hot Surface, DO NOT Touch		DO NOT Cover		High Voltage
-----------------------------------------------------------------------------------	--------------------------------------	-----------------------------------------------------------------------------------	---------------------	-------------------------------------------------------------------------------------	---------------------

SAFETY RULES

Make sure that you read, understand and comply with the following.

ELECTRICAL SAFETY



WARNING: THIS HEATER MUST BE EARTHED

1. Electrical appliances must match the power outlet. **NEVER** modify the plug in any way. **DO NOT** use adaptor plugs with earthed (grounded) appliances. Correct plugs and outlets will reduce the risk of electric shock.
2. **DO NOT** use an extension lead with this heater.
3. **DO NOT** abuse the electrical cable. **NEVER** use the cable for pulling or unplugging the heater. Keep the cable away from sources of heat, oil, sharp edges or moving parts. Damaged or tangled cables increase the risk of electric shock.
4. Keep the power cable well away from machines and ensure an adequate electrical supply is close at hand so that the operation is not restricted by the length of the cable.
5. **ALWAYS** disconnect from the power supply before moving the heater or performing any cleaning or maintenance tasks.
6. Inspect the mains cable regularly for signs of damage. **DO NOT** use if it is damaged, and **ALWAYS** keep it away from the source of heat.
7. Check the heater for damage before use. **DO NOT** use if the heater tubes/elements are damaged or broken. Any damage should be properly repaired or the part replaced. If in doubt, **DO NOT** use. Consult your local CLARKE dealer.

POSITIONING



WARNING: DO NOT USE THE HEATER NEAR FLAMMABLE MATERIAL, LIQUIDS, SOLIDS, GASES OR COMPRESSED GAS CYLINDERS ETC.

1. This heater is designed for indoor use only.
2. **DO NOT** use this heater in small rooms when they are occupied by persons not capable of leaving the room on their own unless constant supervision is provided.
3. **DO NOT** use this heater in the immediate surrounds of a bath, a shower, a swimming pool or wet surfaces.
4. **NEVER** place the heater against or near any surface such as a wall, door, curtains, furniture or combustible material etc. Allow at least 2 metre clearance.
5. **DO NOT** place the heater immediately below any electrical outlet.
6. **DO NOT** place the heater on a raised surface or anywhere where it could topple over. **ALWAYS** use on a horizontal and stable surface.
7. **ALWAYS** ensure that the grille cannot be blocked.
8. **DO NOT** operate fan heaters in explosive atmospheres such as in the presence of flammable liquids, gases or dust such as in a paint spray booth or any explosive environment. Electric motors create sparks which may ignite dust or fumes.

OPERATION

1. This heater is intended for drying & warming of commercial/industrial buildings where adequate ventilation is provided. It is **NOT** for domestic use or for heating habitable areas.
2. The heater should **NOT** be used by children or persons with reduced physical, sensory or mental capabilities, or lack of experience and knowledge.
3. **CAUTION:** Some parts of this product can become very hot and cause burns. Particular attention should be given where, animals, children and vulnerable people are present.
4. The heater must only be used by people who have read these instructions and have been trained in its use.
5. **DO NOT** use if dropped.
6. **DO NOT** use if there is visible signs of damage.
7. **DO NOT** obstruct the air inlet and outlet sections of the heater.
8. **DO NOT** cover the heater with anything that could restrict the air flow.
9. **DO NOT** touch the heater casing or grille when first switched off, as these will be very hot and will take time to cool.

10. **DO NOT** get the heater wet or use in areas of high condensation.
11. **DO NOT** allow the power lead to touch hot surfaces.
12. **DO NOT** connect other appliances to the same mains socket as the heater.
13. **DO NOT** use this heater with a programmable timer used to switch it on automatically.
14. **DO NOT** leave the heater unattended.

SERVICE & REPAIRS

1. If necessary, have your heater repaired by a qualified person using identical replacement parts. This will ensure that the safety of the product is maintained.
2. Please keep these instructions in a safe place for future reference.

ENVIRONMENTAL RECYCLING POLICY



Through purchase of this product, the customer is taking on the obligation to deal with the WEEE in accordance with the WEEE regulations in relation to the treatment, recycling & recovery and environmentally sound disposal of the WEEE.

In effect, this means that this product must not be disposed of with general household waste. It must be disposed of according to the laws governing Waste Electrical and Electronic Equipment (WEEE) at a recognised disposal facility.

ELECTRICAL CONNECTIONS



WARNING: READ THESE ELECTRICAL SAFETY INSTRUCTIONS THOROUGHLY BEFORE CONNECTING THE PRODUCT TO THE MAINS SUPPLY.

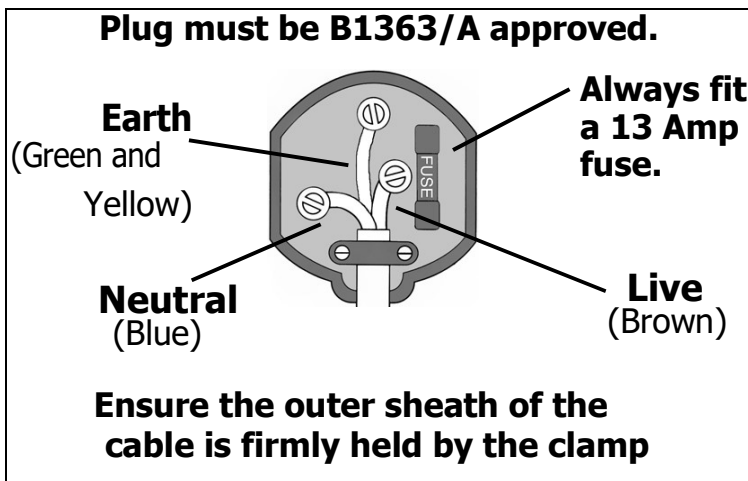
Connect the mains lead to a standard 230Volt 50Hz electrical supply through an approved 13 amp BS1363 plug or a suitably fused isolator switch.

If the plug has to be changed because it is not suitable for your socket, or due to damage, it should be cut off and a replacement fitted, following the wiring instructions shown below. The old plug must be disposed of safely, as insertion into a mains socket could cause an electrical hazard.




**WARNING: THE WIRES IN THE POWER CABLE OF THIS PRODUCT ARE COLOURED IN ACCORDANCE WITH THE FOLLOWING CODE:
BLUE = NEUTRAL BROWN = LIVE YELLOW AND GREEN = EARTH**

If the colours of the wires in the power cable of this product do not correspond with the markings on the terminals of your plug, proceed as follows.



- The BLUE wire must be connected to the terminal which is marked **N** or coloured **Black**.

- The BROWN wire must be connected to the terminal which is marked **L** or coloured **Red**.

- The YELLOW & GREEN wire must be connected to the terminal which is marked **E** or  or coloured **Green**.

We strongly recommend that this machine is connected to the mains supply via a Residual Current Device (RCD).

If in any doubt, consult a qualified electrician. **DO NOT** attempt any repairs yourself.

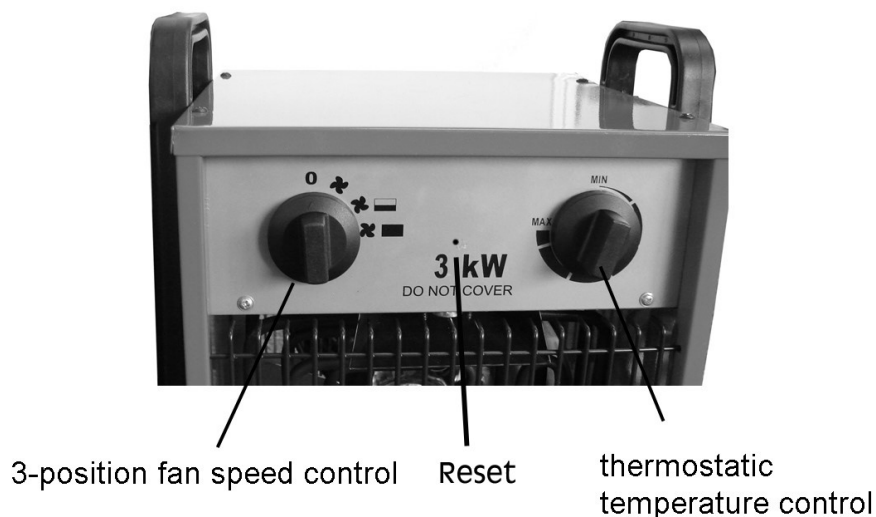
OPERATION

This Devil fan assisted electric heater is suitable for household or workshop/factory use. It incorporates a thermostat which detects the temperature of the room air and controls the heater to maintain a pre-selected temperature between 0 & 40°C. A manually reset thermal cutout is provided for safety in the event of overheating. If the thermal cut out activates, then turn off the power and disconnect from the power supply. Allow the heater to cool down for several minutes before pressing the reset button. Reconnect to the power supply and turn on to resume operation.

With the heater sited on a firm level surface and at a safe distance from flammable objects (in compliance with all safety precautions), plug the heater into the mains and set the thermostatic control to the maximum temperature setting. Switch the heater on to one of the following power settings. Once the room reaches the required temperature, you should turn the thermostatic control slowly anti-clockwise until the heater switches off. The heater will now start and stop automatically to maintain the room temperature.

DEVIL 6003 (3KW) HEATER

The 3kw heater has three settings for 1) fan only, 2) fan plus single heating element, 3) fan plus both heating elements. The other control is a progressive thermostat which is rotated through 270 degrees. A cutout is used to maintain a constant pre-set temperature.



The thermostat will then switch the heater on and off automatically to control the room temperature according to the pre-set value, maintaining a constant room temperature.

When using the heater to warm a cold room, first turn the thermostat to MAX and run the heater on full power until the room temperature reaches the required value, then turn the thermostat anti-clockwise until it switches off.

When using the heater for the first time a slight emission of smoke may be noticed. This is quite normal and soon stops. It is caused by residual traces of oil remaining on the element from production.

After use, turn the thermostat to the OFF position and the selector switch to the Fan Only position, and leave the unit to cool down for a couple of minutes.

RESET

Should the heater overheat, a thermal cutout will operate, shutting down the unit. If this happens, allow time for the unit to cool (approx. 10 minutes) before pressing the **RESET** using a suitable tool, and restarting the heater.

The thermal cutout may also operate if the heater is shut down without allowing to cool sufficiently. If subsequently, the heater fails to start, press the RESET using a suitable tool and try again.

MAINTENANCE

If the heater has been used, **ALWAYS** allow it to cool down for at least 10 minutes (by switching the heater off, but leave the fan running). Always disconnect from the mains supply before performing any maintenance tasks.

PERIODICALLY

1. Use compressed air to clean out the unit. Always wear a dust mask to perform this operation.
2. If there is any serious build up of dirt, wipe thoroughly with a damp cloth. Take care that no moisture enters the heater.
3. Inspect the mains cable for damage. Heat damage will cause the cable to stiffen and crack. If this is found, have the cable replaced. Check the cable routing and ensure it is well away from the heat source.
4. Ensure the heating elements are clear of dust (use compressed air to clean the heater if possible).
5. Avoid using solvents when cleaning plastic parts, most plastics are susceptible to damage from various types of commercial solvents.
6. Refer to your Clarke dealer if internal maintenance is required. The unit is fitted with tamper-proof screws to discourage users from dismantling the heater.
7. When storing the heater, allow it to cool down, and return it to its own packaging for storage in a dry, well ventilated place.

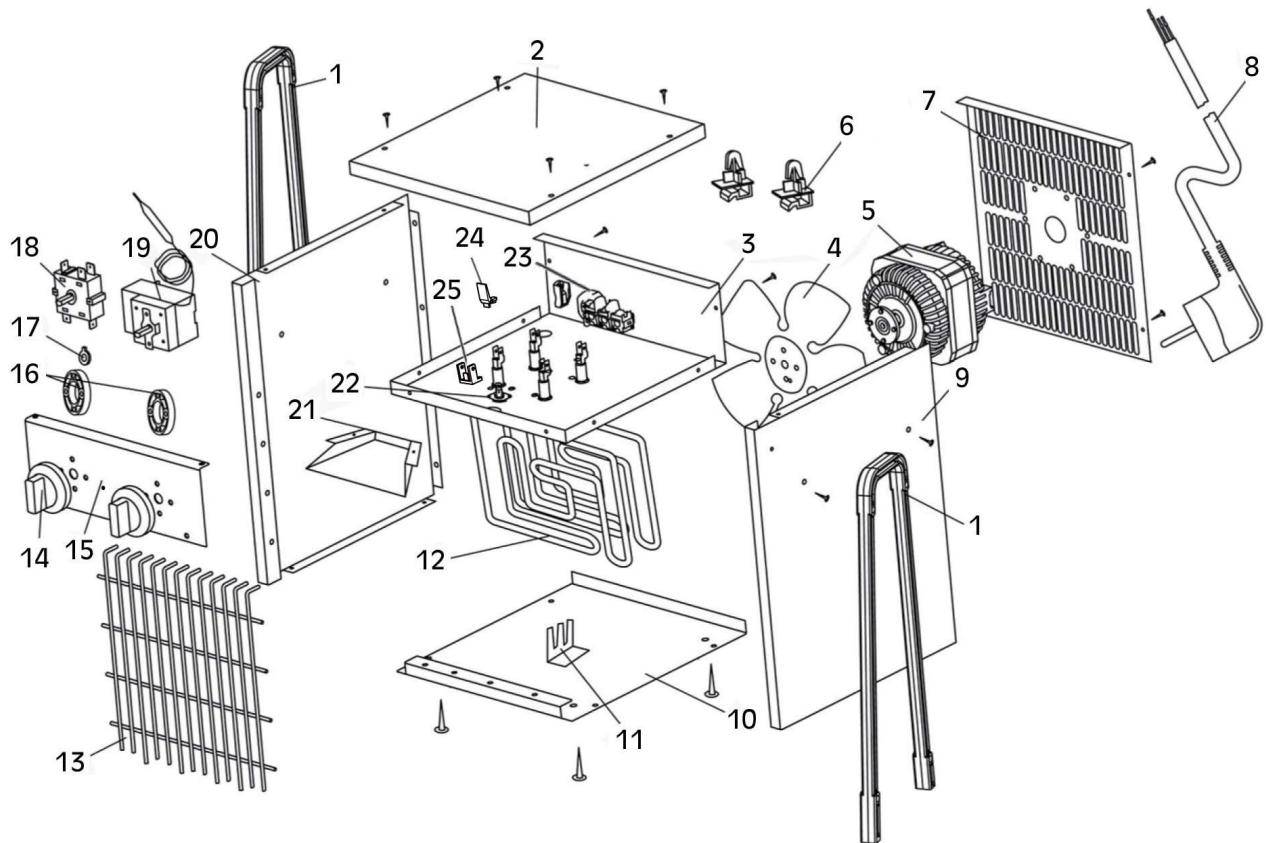
SPECIFICATIONS

Item	Specification
Model	Devil 6003
Part No	6925220
Weight	5.5 kg
Dimensions (mm)	295x265x425
Input Wattage (kw)	1.5(setting 1) 3.0(setting 2)
Input Amperage	6.4(setting 1) 12 (setting 2)
Input Voltage	230V 50Hz
Fuse Rating	13A
Air Output	512 m ³ /h
Sound Level	70dB (A)
Insulation Class	IPX4
Heat Output	3 kW
Operating Temperature	0°C - 40°C (32°F - 104°F)

FAULTFINDING

Problem	Possible Cause	Remedy
Heater does not operate although plugged in with the switch and thermostat switched on.	Plug is loose/bad connection.	Pull the plug out and check the connection of the plug and socket.
	Fuse blown	Replace if necessary and investigate cause. If fuse blows repeatedly consult your CLARKE dealer.
	No power at socket.	Plug into a suitable socket.
Heating element glowing hot.	Incorrect input voltage	Use correct power supply in accordance with the rating plate/label.
	Air inlet grill is blocked.	Ensure the heater is kept away from any objects which could cover the air inlet or be drawn into it.
The unit has failed to heat up so only the fan is operating	Control switch no set to a heating level.	Turn switch to HEATING
	Thermostat has tripped.	Turn the thermostat and listen. If there is no CLICK and the thermostat is not damaged, the heater will automatically switch ON when it has cooled down.
	The manually reset cut-out has operated.	Disconnect the power. Take a suitable pin and insert it into the manual RESET hole in the control panel. Press the RESET button and connect the circuit.
Abnormal noise	Heater is not level	Stand heater on a level surface.

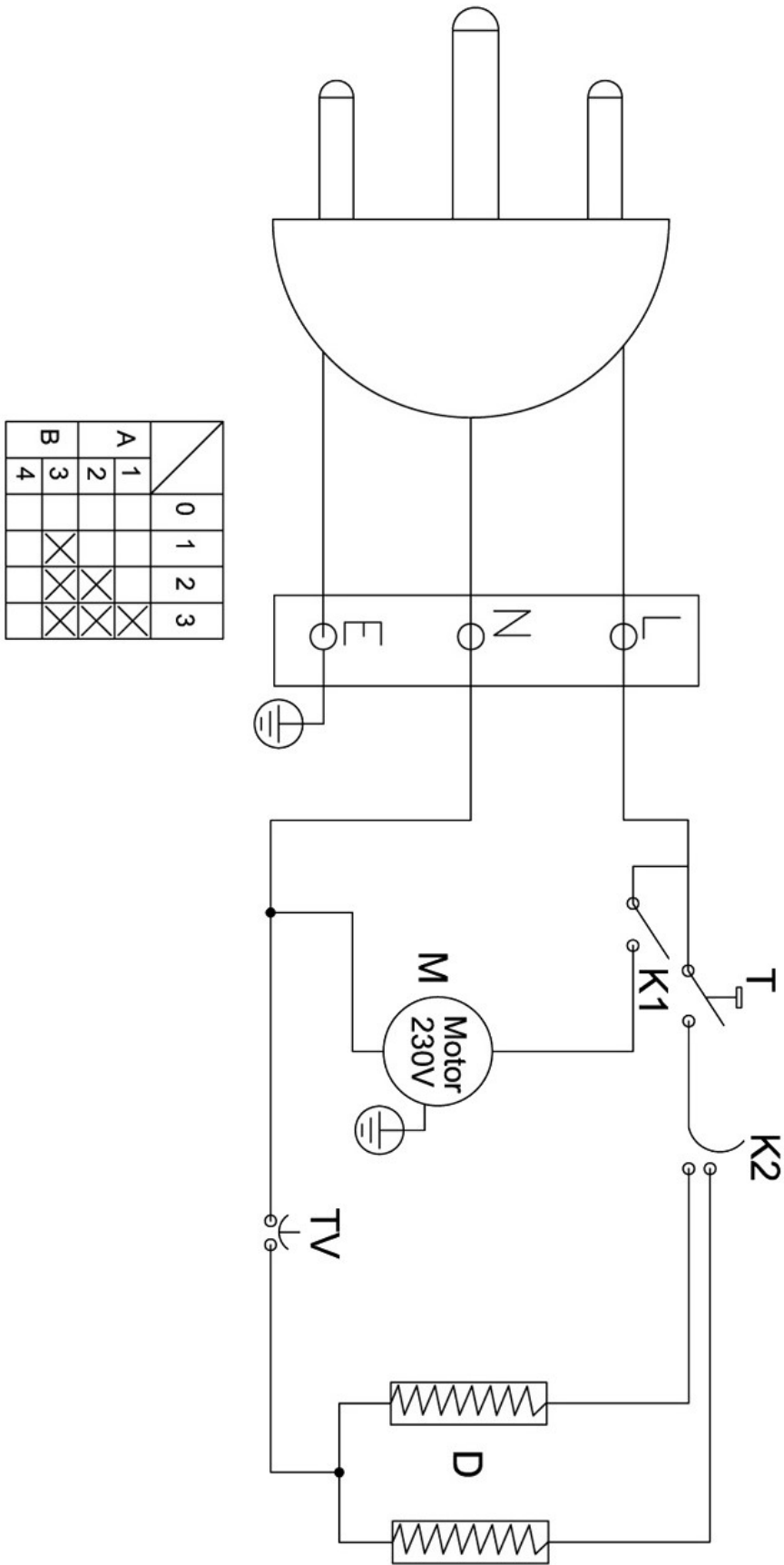
PARTS DIAGRAM DEVIL 6003



1	Support Leg	14	Fan Control Knob
2	Top Panel	15	Front Panel
3	Chassis Panel	16	Mounting Packer
4	Fan	17	Washer
5	Motor	18	Control Unit
6	Retaining Clips	19	Temp Controller
7	Rear Panel	20	Side Panel (LH)
8	Power Cable	21	Air Duct
9	Side Panel (RH)	22	Thermal Cut-out
10	Base Panel	23	Terminal Block
11	Heater Bracket	24	Temperature Control Bracket
12	Heating Element 1.4kW	25	Temperature Control Base
13	Front Grille		

WIRING DIAGRAMS

Model:3KW



		0	1	2	3
A	1				
	2				
B	3	X	X	X	X
	4				

DECLARATION OF CONFORMITY - UKCA



Hemnall Street, Epping, Essex, CM16 4LG

DECLARATION OF CONFORMITY

This is an important document and should be retained.

We hereby declare that this product(s) complies with the following legislation:

2009/125/EC	<i>Ecodesign Directive</i>
2014/30/EU	<i>Electromagnetic Compatibility Directive</i>
2014/35/EU	<i>Low Voltage Directive</i>
2011/65/EU	<i>Restriction of Hazardous Substances (RoHS) Directive</i>

The following standards have been applied to the product(s):

EN 60335-1:2012+AC:2014+A11:2014+A13:2017+A1:2019+A14:2019+A2:2019+A15:2021+A16:2023, EN 60335-2-30:2009+A11:2012+A1:2020+A12:2020+A2:2022+A13:2022, IEC 62321-3-1:2013, EN 61000-3-3:2013+A1:2019+A2:2021, EN IEC 55014-1:2021, IEC 62321-7-1:2015, EN 62233:2008, EN 60675:1995+A1:1998+A2:2018+A11:2019, EN IEC 61000-3-2:2019+A1:2021, IEC 62321-5:2013, IEC 62321-4:2013+A1:2017, EN IEC 55014-2:2021, IEC 62321-7-2:2017, IEC 62321-6:2015, IEC 62321-8:2017, EN 50564:2011

The technical documentation required to demonstrate that the product(s) meet(s) the requirement(s) of the aforementioned legislation has been compiled and is available for inspection by the relevant enforcement authorities.

The UKCA mark was first applied in: 2022

Product Description: Joule Heater
Model Number(s): DEVIL 6003
Serial/Batch Number: Refer to product/packaging label
Date of Issue: 08/10/2025
Signed:

J.A Clarke

Director

DECLARATION OF CONFORMITY - CE



Clarke[®]
INTERNATIONAL

Fitzwilliam Hall, Fitzwilliam Place, Dublin 2

DECLARATION OF CONFORMITY

This is an important document and should be retained.

We hereby declare that this product(s) complies with the following legislation:

2009/125/EC	<i>Ecodesign Directive</i>
2014/30/EU	<i>Electromagnetic Compatibility Directive</i>
2014/35/EU	<i>Low Voltage Directive</i>
2011/65/EU	<i>Restriction of Hazardous Substances (RoHS) Directive</i>

The following standards have been applied to the product(s):

EN 60335-1:2012+AC:2014+A11:2014+A13:2017+A1:2019+A14:2019+A2:2019+A15:2021+A16:2023, EN 60335-2-30:2009+A11:2012+A1:2020+A12:2020+A2:2022+A13:2022, IEC 62321-3-1:2013, EN 61000-3-3:2013+A1:2019+A2:2021, EN IEC 55014-1:2021, IEC 62321-7-1:2015, EN 62233:2008, EN 60675:1995+A1:1998+A2:2018+A11:2019, EN IEC 61000-3-2:2019+A1:2021, IEC 62321-5:2013, IEC 62321-4:2013+A1:2017, EN IEC 55014-2:2021, IEC 62321-7-2:2017, IEC 62321-6:2015, IEC 62321-8:2017, EN 50564:2011

The technical documentation required to demonstrate that the product(s) meet(s) the requirement(s) of the aforementioned legislation has been compiled and is available for inspection by the relevant enforcement authorities.

The CE mark was first applied in: 2007

Product Description: Joule Heater
Model Number(s): DEVIL 6003
Serial/Batch Number: Refer to product/packaging label
Date of Issue: 08/10/2025
Signed:

J.A Clarke

Director

A SELECTION FROM THE VAST RANGE OF

Clarke®

QUALITY PRODUCTS



AIR COMPRESSORS
From DIY to industrial, Plus air tools, spray guns and accessories.

GENERATORS
Prime duty or emergency standby for business, home and leisure.

POWER WASHERS
Hot and cold, electric and engine driven - we have what you need

WELDERS
Mig, Arc, Tig and Spot. From DIY to auto/industrial.

METALWORKING
Drills, grinders and saws for DIY and professional use.

WOODWORKING
Saws, sanders, lathes, mortisers and dust extraction.

HYDRAULICS
Cranes, body repair kits, transmission jacks for all types of workshop use.

WATER PUMPS
Submersible, electric and engine driven for DIY, agriculture and industry.

POWERTOOLS
Angle grinders, cordless drill sets, saws and sanders.

STARTERS/CHARGERS
All sizes for car and commercial use.



PARTS & SERVICE: 0208 988 7400

Parts Enquiries
Parts@clarkeinternational.com

Servicing & Technical Enquiries
Service@clarkeinternational.com

SALES: UK 01992 565333 or Export 00 44 (0)1992 565335

Clarke INTERNATIONAL Hemnall Street, Epping, Essex CM16 4LG
www.clarkeinternational.com